

LED Replacement
Contact factory

**RECYCLING INFORMATION**

All steel, aluminum and thermoplastic parts
are recyclable.
All cartons contain recycled materials.
Please recycle responsibly.

PGR LED Sconce
High Performance LED Sconce
For Indoor or Outdoor Application
Installation, Operation and Service Instructions



US Patent No. D627,916

93021413

IMPORTANT SAFEGUARDS

When using electrical equipment, basic safety precautions should
always be followed including the following.

READ AND FOLLOW ALL SAFETY INSTRUCTIONS

1. Do not let power supply cords touch hot surfaces.
2. Do not mount near gas or electric heaters.
3. Equipment should be mounted in locations and at heights where it will not readily be subject to tampering by unauthorized personnel.
4. The use of accessory equipment not authorized by the manufacturer may cause an unsafe condition.
5. Do not use this equipment for other than its intended purpose.
6. Servicing of this equipment should be performed by qualified service personnel.

INSTALLER:

- SEE UNIT LABEL FOR ADDITIONAL MODEL SPECIFICATIONS
- SAVE THESE INSTRUCTIONS FOR USE BY OWNER/OCCUPANT

WARNING – This product contains chemicals known to the State of California to cause cancer, birth defects and/or other reproductive harm. Thoroughly wash hands after installing, handling, cleaning, or otherwise touching this product.

93021413
93021935
93036104
93036105
93021938
93021939

Hubbell Lighting, Inc. Life Safety Products • www.dual-lite.com

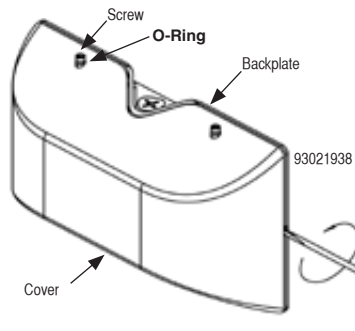
Copyright © Hubbell Lighting, Inc., All Rights Reserved • Specifications subject to change without notice. • Printed in U.S.A.

93036103 B 5/2011



Hubbell Lighting, Inc.

INSTALLATION



1. Open the unit by loosening both screws on top of unit until screws spin freely. Pry cover from backplate, and remove cover squarely from backplate. (Remove screws prior to re-installing cover.)

IMPORTANT:
Once unit is connected and cover is snapped onto backplate, gently seat screws onto O-ring seals to less than 1/2FT-LB (.7N-m).
DO NOT OVERTIGHTEN!
O-RING MAY BE DAMAGED AND THE UNIT WILL LEAK IF ABOVE IS NOT FOLLOWED.

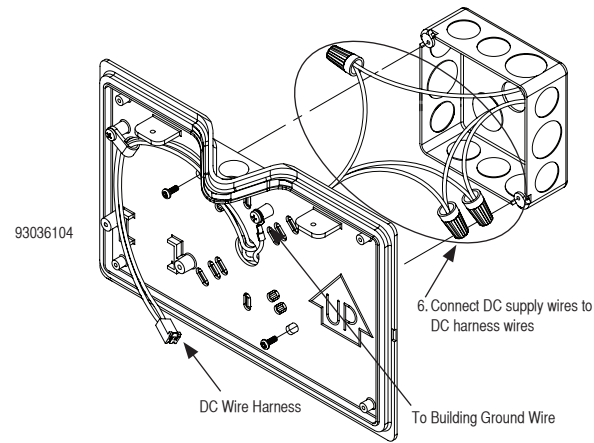
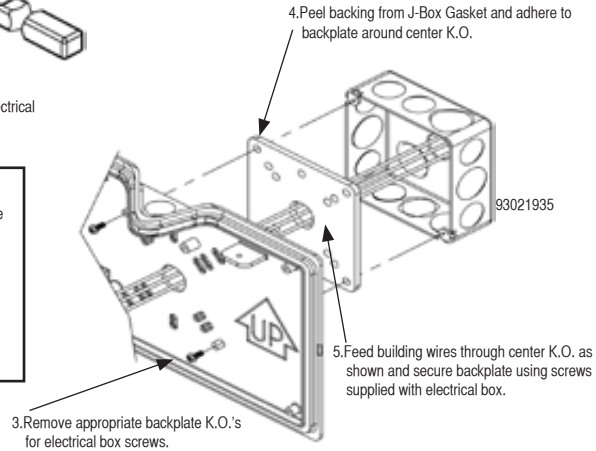
2. Remove 7/8" diameter K.O. from backplate if mounting to electrical box or remove 1/2"-1/4NPT pipe plug if using conduit.

CONDUIT MOUNTING:

If unit is not secured to mounting surface using unit backplate K.O. pattern and supplied gasket, use sealant to create waterproof seal between the mounting surface and the unit backplate.

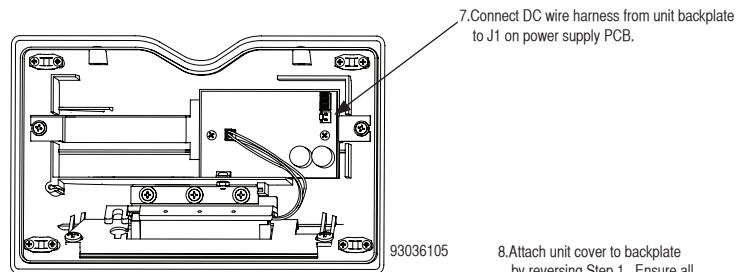
IMPORTANT!

To weatherproof your outdoor installation, be sure to seal all fixture openings - mounting, conduit, etc.



Ground	Connect ground (green) conductor.
6VDC through 12VDC	CAUTION: OBSERVE POLARITY Connect blue (+) conductor to building (+) DC supply. Connect yellow (-) conductor to building (-) DC supply

NOTE:
Feed wires and nuts back into electrical box through backplate as shown.

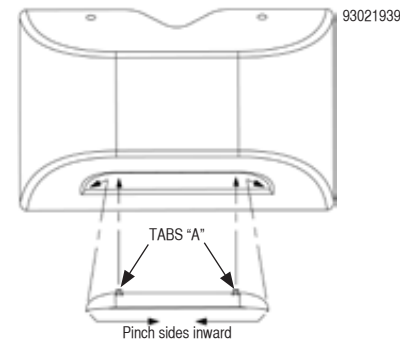


8. Attach unit cover to backplate by reversing Step 1. Ensure all wires are within enclosure to avoid pinching with cover.

OPERATION

Unit will operate from 6 through 12VDC.

Full Cut-off Shield Installation



- Slide tabs "A" between housing and lens gasket.
- Pinch sides of shield inward and seat shield against lens.
- Release pinched sides of shield to secure to unit.