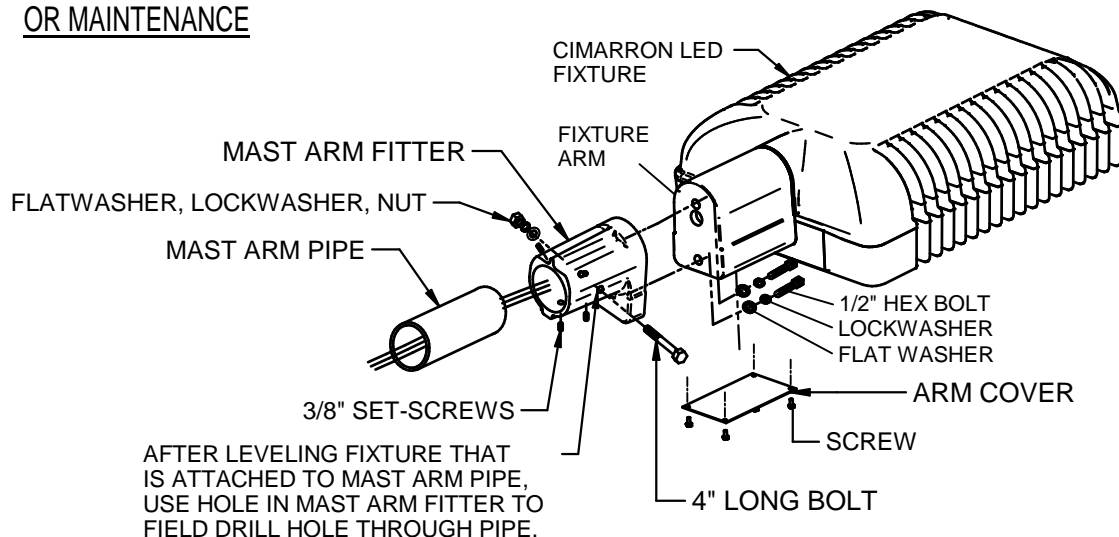


CIMARRON CL1 MAF INSTALLATION INSTRUCTIONS

SAVE THESE INSTRUCTIONS

WARNING: DISCONNECT POWER BEFORE INSTALLATION OR MAINTENANCE



1. MOUNTING MAST ARM FITTER TO FIXTURE ARM AND TO MAST ARM PIPE

- Remove Arm Cover by removing the (4) Screws.
- Attach Fixture to Mast Arm Fitter with (2) 1/2" Hex Bolts, Lockwashers and Flatwashers. Torque bolts to approx. 42 Ft-Lbs.
- Engage (4) 3/8-16 X 3/4" Set-screws to the cast Mast Arm Fitter.
- Slip Arm Fitter onto Mast Arm and adjust Fixture orientation while tightening the (4) Set-screws.
- After Leveling the Fixture attached to the Mast Arm, use holes on each side of Mast Arm Fitter to Field Drill 13/32" dia. hole through the Mast Pipe Arm.
- Remove Arm Fitter and Fixture from Mast Arm Pipe and Pull the supply wires from Mast Arm Pipe through Mast Arm Fitter and into the Fixture Arm.
- Slip Mast Arm Fitter with Fixture back onto the Mast Arm Pipe, Install the 4" long Bolt and tighten the (4) Set-screws to approx 18 Ft-Lbs.
- Secure 4" Bolt with Flatwasher, Lockwasher, and Nut (Hardware Included). Torque the Bolt and Nut to approx. 20 Ft-Lbs.

WARNING: FAILURE TO INSTALL THE LONG BOLT COULD POSSIBLY ALLOW THE FIXTURE TO ROTATE OR DISENGAGE FROM THE PIPE ARM.

2. WIRING (See Fig. 2)

- **POWER MUST BE OFF.**
(WIRING MUST BE PERFORMED BY A QUALIFIED ELECTRICIAN)
- Wire service leads to fixture power leads according to local and National Electric Codes.
- Luminaire is equipped with universal voltage drivers capable of 120V-277V input. An optional 347/480 V input transformer is available.
- Wire connections to be made inside Arm with Fixture Wires and Supply Wires (by others).
- For direct wire connections, connect ground wire to green wire, connect black to black and white to neutral then push connections back inside Arm and attach Arm Cover.

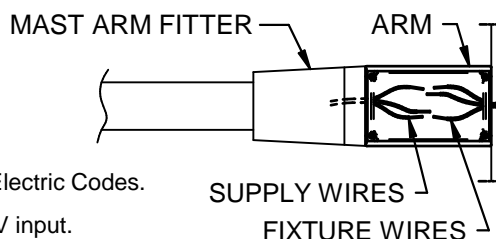


FIGURE 2
ARM COVER REMOVED

See Installation Instructions for Cimarron LED, P/N 93034033.