

SAVE THESE INSTRUCTIONS

WARNING! Fixtures must be grounded and installed in accordance with the National Electrical Code and all local codes. Failure to do so may increase the **RISK OF PERSONAL INJURY, PROPERTY DAMAGE, FIRE AND DEATH**. Install and use where burnouts do not cause a hazard and use only in environments for which the product is specifically marked.

WARNING! This product contains chemicals known to the State of California to cause cancer, birth defects, and/or other reproductive harm. Thoroughly wash hands after installing, handling, cleaning, or otherwise touching this product.

CAUTION! Follow ALL luminaire recommendations, product markings, instructions, restrictions and warnings regarding luminaire operation and burning position. Luminaire label shows electrical and environmental requirements.

All electrical work must be done by a qualified electrician.

Turn off electric power to all affected circuits and allow to cool before servicing.

A regularly scheduled maintenance program should be established to retain optimum light output and reduce heat retention. Dusting with a soft, clean, dry cloth is normally sufficient. Any accumulation of dust or dirt should be removed regularly from the lens. Use only a mild soapy solution, DO NOT use alkaline or acid cleaners.

Carefully read these instructions before installing product. If you do not understand these instructions, before starting any work, contact your Hubbell Lighting distributor or techsupport@hubbell-ltg.com or (864) 678-1000

Give instructions to facility owner/manager for future reference.

CIMARRON LED FIXTURE INSTALLATION

NOTE: IT IS NOT NECESSARY TO OPEN THE FIXTURE FOR INSTALLATION. THE FIXTURE HAS BEEN DESIGNED TO BE INSTALLED BY REMOVING THE ARM MOUNTING COVER ONLY.

WARNING: DISCONNECT POWER BEFORE INSTALLATION

CAUTION: FIXTURE WEIGHS ABOUT 50 POUNDS

1. MOUNTING PREPARATION (See Fig. 1)

- Remove Arm Cover by removing the (4) Screws.
- Remove Pole Cover
- Pull the supply wires from Pole through Nut Plate and into the Arm.

2. MOUNTING FIXTURE TO POLE

- Attach Fixture to Pole with (2) ½" Hex Bolts, Lockwashers and Flatwashers into Nut Plate inside pole.
- Torque Bolts to approx. 45 Ft-Lbs.

3. WIRING (See Fig. 2)

- **POWER MUST BE OFF.**

(WIRING MUST BE PERFORMED BY A QUALIFIED ELECTRICIAN)

- Wire service leads to fixture power leads according to local and National Electric Codes.
- Luminaire is equipped with universal voltage drivers capable of 120V-277V input. An optional 347/480 V input transformer is available.
- Wire connections to be made inside Arm with Fixture Wires and Supply Wires (By others). Secure Wire inside Pole.
- For direct wire connections, connect ground wire to green wire, connect black to black and white to neutral then push connections back inside Arm and attach Arm Cover.

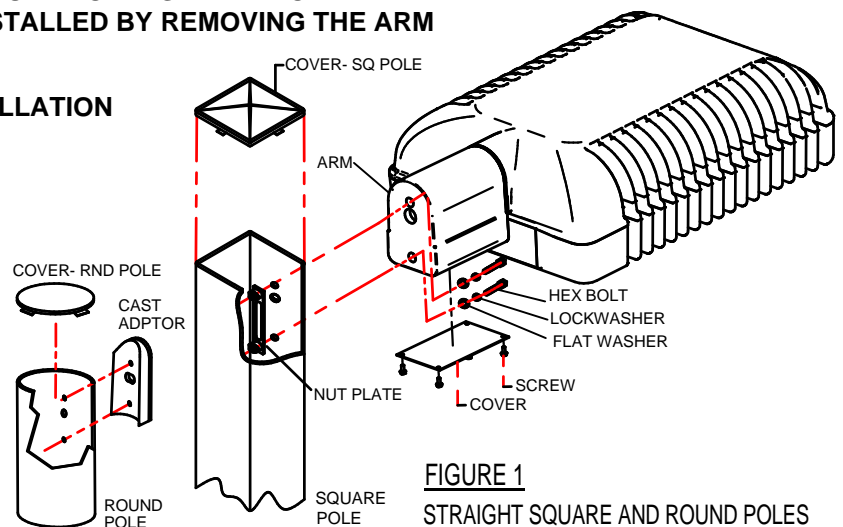


FIGURE 1
STRAIGHT SQUARE AND ROUND POLES

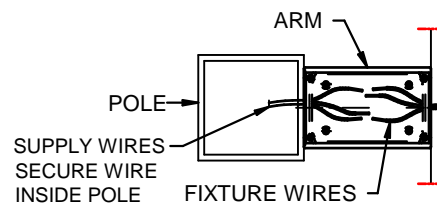


FIGURE 2
ARM COVER REMOVED

SAVE THESE INSTRUCTIONS

WARNING: DISCONNECT POWER BEFORE INSTALLATION
OR MAINTENANCE

CIMARRON LED
(LUMINAIRE)

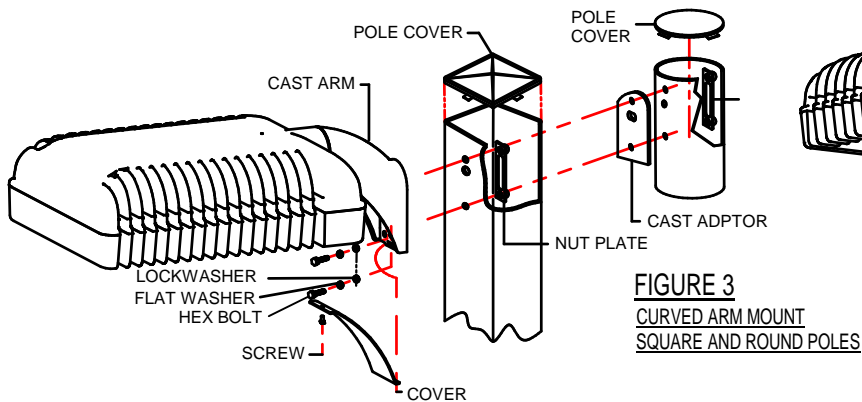


FIGURE 3
CURVED ARM MOUNT
SQUARE AND ROUND POLES

4. MOUNTING FIXTURE WITH CURVED ARM

Use same procedure as shown on Page 1, except Arm Cover has (1) Screw.

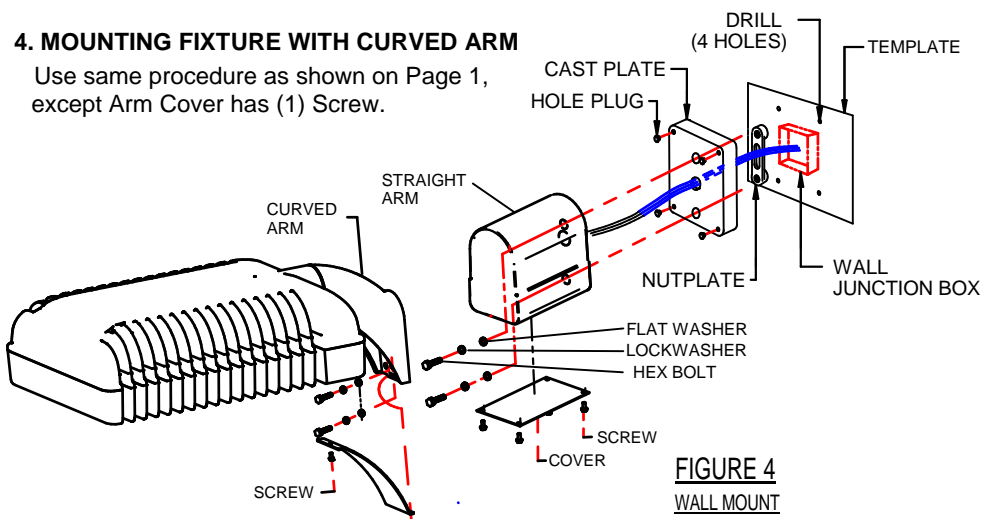


FIGURE 4
WALL MOUNT

5. MOUNTING FIXTURE WITH WALL PLATE

- Using template, locate holes in bracket around junction box on the wall. Mark hole locations. (See Fig. 4)
- Drill wall for the hardware appropriate for the type wall. Use 1/4 diameter bolt (supplied by others) and attach Wall Plate to Wall with Nut Plate inside.
- Pull the supply wires from junction box through Plate.
- Apply caulking sealant (supplied by others) around the top and two sides of the bracket where it meets the wall.
- Follow same Instructions as Steps 1, 2, 3 and 4.

PHOTOCONTROL OPTION

NOTE: THE LIGHT WILL NOT OPERATE WITHOUT A PHOTOCONTROL SWITCH OR A SHORTING CAP IN PLACE. DO NOT LEAVE RECEPTACLE OPEN TO THE ELEMENTS.

