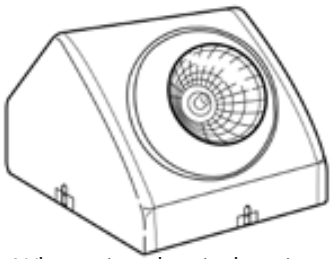




# LZR/LZTR Series Remote Fixtures Installation Instructions



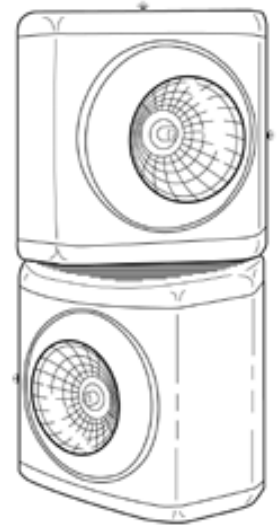
**Halogen cycle lamps operate at high temperatures.  
Do not store or place flammable materials near lamp.**

## IMPORTANT SAFEGUARDS

When using electrical equipment, basic safety precautions should always be followed including the following:

### READ AND FOLLOW ALL SAFETY INSTRUCTIONS

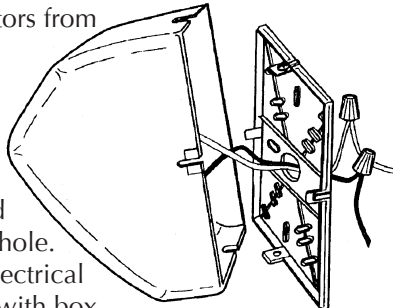
1. Do not use outdoors.
2. Do not mount near heaters or hot surfaces.
3. Equipment should be mounted in locations and at heights where it will not readily be subjected to tampering by unauthorized personnel.
4. The use of accessory equipment not authorized by the manufacturer may cause an unsafe condition.  
Caution: Halogen cycle lamps are used in this equipment. To avoid shattering: Do not operate lamp in excess of rated voltage, protect lamp against abrasion and scratches and against liquids when lamp is operating, dispose of lamp with care.
5. Do not use this equipment for other than its intended purpose.
6. Service of this equipment should be performed by qualified service personnel.



## SAVE THESE INSTRUCTIONS

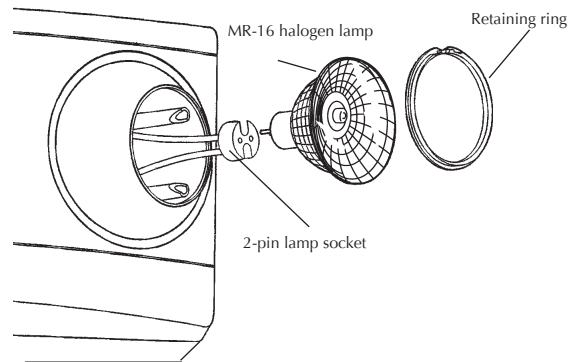
### Remote Lighting Fixture Installation

1. Carefully size wire conductors from emergency unit to remote fixture(s) using a voltage drop table.
2. Remove appropriate knockouts in remote fixture mounting plate, feed conductors through center hole.
3. Mount plate to approved electrical box using screws supplied with box.
4. Make connections to fixture lamp leads using wire nuts or crimp connectors.
5. Push connectors back through hole in mounting plate into electrical box.
6. Orient fixture in desired position (fixtures can be rotated in 90° increments to four positions).
7. Set fixture on backplate and tighten locking screws. Aim lighting head(s) by rotating eyeball to desired position.



### Lamp Replacement

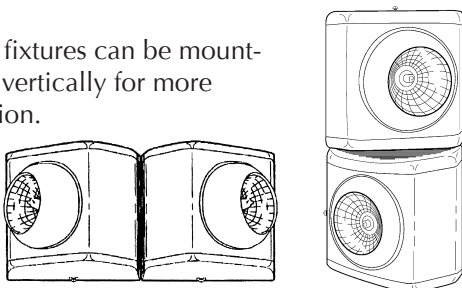
**CAUTION:** Halogen lamps operate at high temperatures. Allow defective lamp to cool completely before attempting replacement.



1. Remove plastic lamp retaining ring.
2. Pull defective lamp from lighting head assembly and unplug lamp from socket.
3. Plug replacement lamp into socket and install lamp into lighting head assembly.
4. Re-install lamp retainer ring (flat side towards lamp).

#### Note:

Twin head remote fixtures can be mounted horizontally or vertically for more accurate illumination.



#### RECYCLING INFORMATION

All thermoplastic parts are recyclable.  
All cartons contain recycled materials.  
Please recycle

