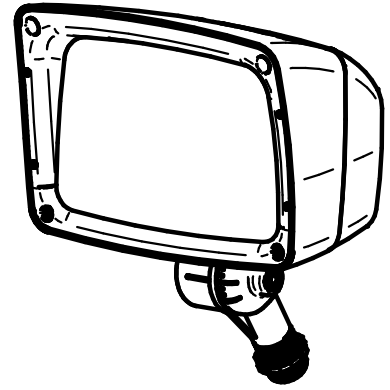


SAVE THESE INSTRUCTIONS



HUBBELL
Outdoor Lighting



READ THOROUGHLY BEFORE INSTALLATION

Mounting The Fixture (See Fig. 1)

- Turn off power to electrical connections.
- Wiring must be performed by a qualified electrician.
- Make electrical connections according to the local and National Electrical Codes.
- Remove fixture from packaging along with hardware bag.
- There are three wires coming out of this fixture:
 - Black Wire - Line Voltage
 - White Wire - Neutral
 - Green Wire - Ground

Connect these wires to the supply wires using the wire nuts provided in the hardware bag.

- Thread fixture onto electrical box using the $1/2$ -14 threads on knuckle (Item 1 in Fig. 1).
- Once fixture is pointing in the desired direction, tighten the lock nut (Item 2 in Fig. 1) to the electrical box to prevent any further rotation.
- Loosen the bolt (Item 3 in Fig. 1) on the knuckle using a $7/16$ " wrench to allow the fixture to be aimed up or down.
- Once the fixture is aimed at the desired target, tighten the bolt (Item 3 in Fig. 1) on the knuckle.

