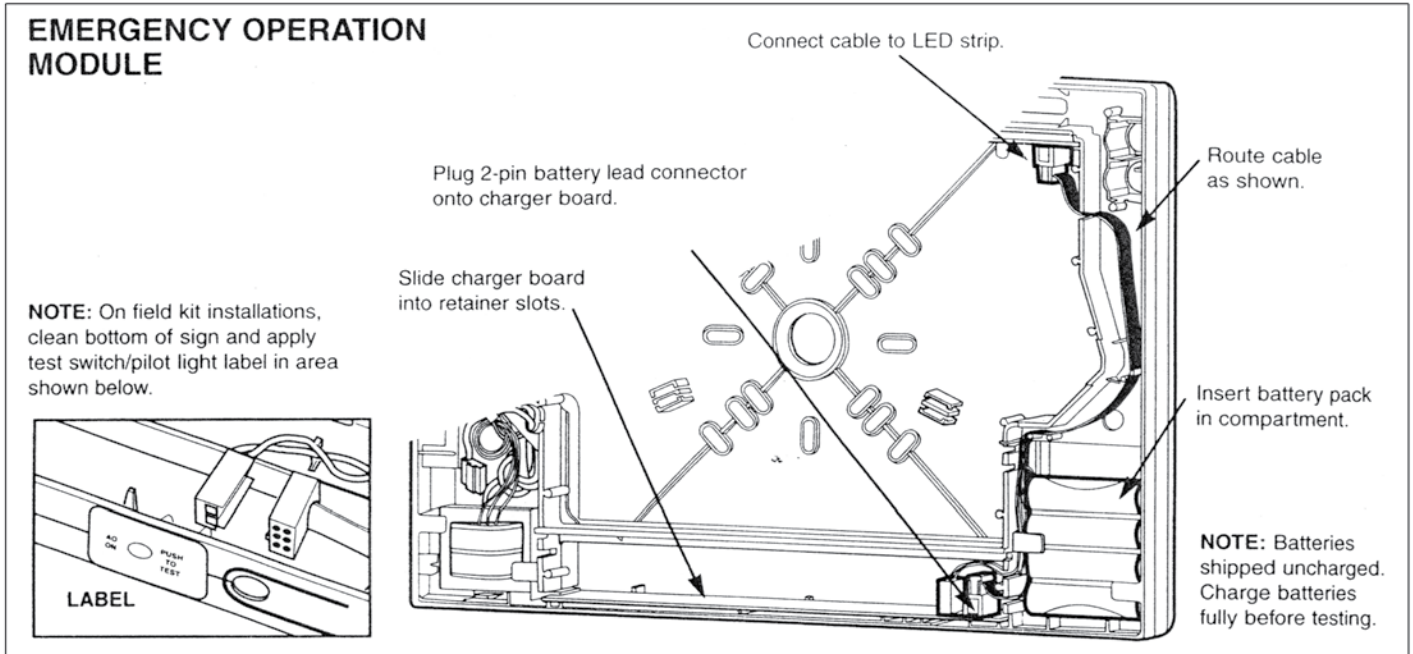




## INSTALLATION INSTRUCTIONS - LX SERIES EXIT LIGHT FIELD KIT



For additional installation information, refer to Liteforms LX Series instruction sheet - Form No. 0601458

### Warning:

This product contains chemicals known to the state of California to cause cancer, birth defects, and/or other reproductive harm. Thoroughly wash hands after installing, handling, cleaning, or otherwise touching this product.

