

CAT#:	Job:	Type:
-------	------	-------



Features

Built for superior LED performance packed with features

- Stylish vertically finned die-cast lower heatsink and aluminum driver box above the canopy
- Designed for optimal thermal transfer and easy installation
- Made from low-copper marine-grade cast aluminum
- All-inclusive housing provides an integral wiring and driver compartment for ease of installation
- Replaceable LED module enables future upgrades/ service for the LED light engine
- Thermal frame technology provides state-of-the-art passive cooling in the most demanding environments
- Light output over 17,411 lumens using 480 LEDs
- Drop lens for best in class distribution and vertical footcandels on dispensers

Certifications/Listings



Ordering Information

FLED-RL	HL	7	UNV	CVQ	5	WH	
SERIES	NO. OF LEDS	DRIVE CURRENT	DISTRIBUTION		CCT	COLOR	RETROFIT KITS/ACCESSORIES
FLED-RL LED under canopy light	HL 137 watts	7 700 mA	CVQ Concentrated square	3 3500K	WH White	UCT1 Surface mounted retrofit kit for Whiteway Vision, Riviera 2, Thunderbird, 21" housing	
				5 5100K	DB Dark Bronze	UCT2 Surface mounted retrofit kit for LSI Masters/Dakota, 23" housing	
			VOLTAGE				UCT3 Surface mounted retrofit kit for Jet Phillips, Whiteway Riviera 1, 22" housing
			UNV 120-277				FLEDCVPLT 12" square backer plate for 9" mounting hole

Specifications

Construction:

- Two piece design includes die cast alluminum casting and alluminum driver box
- Shipping weight - 15lbs

Electrical:

- Universal input voltage 120-277 VAC, 50/60 Hz
- Automatic thermal self-protection
- LED drivers have output power over-voltage, over-current protection and short circuit protection with auto recovery
- LED electrical assembly, including PR devices, consumes no power in the 'off' state
- Surge protection standard
- Expected life: 60,000 hours

Installation:

- Unique two-piece design allows for simple installation into 4" mounting hole. Installs into 12" or 16" canopy deck pan. Retro kits available for all existing luminaires

Optics:

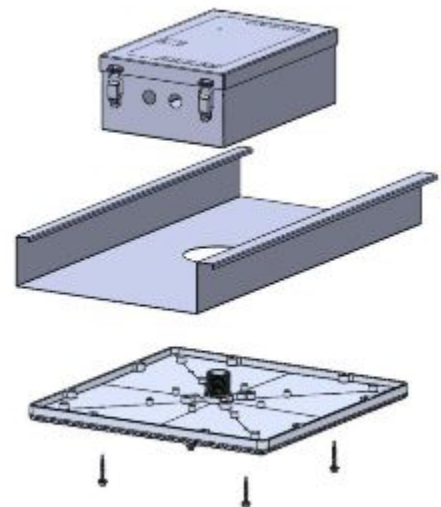
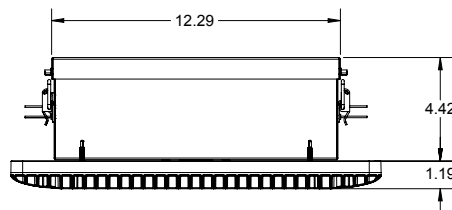
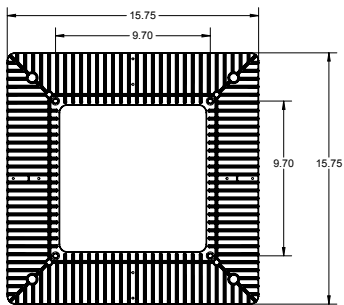
- Drop lens for optimal uniform distribution under the canopy and vertical footcandles on dispensers

Warranty:

- 5 year

Listings:

- CSA
- DesignLights Consortium qualified



Performance Summary

Distribution	Engine	Delivered Lumens	No. of LEDs	CCT	Wattage	Lumens per watt	Replaces
CVQ	HL-700	17,411	480	5100K	136.5	127.5	320-400W

All performance data has been acquired by physical test reports conducted to LM-79-08 standards in a controlled testing laboratory.