

CAT#: _____ Job: _____ Type: _____



Features

Built for superior LED performance packed with features

- LED Enclosed and Gasketed
- Long life 50,000 hour LEDs at L80 for reduced maintenance⁷
- Choice of three LED color temperatures
- Choice of lumen packages for each size
- Available in 2', 4', or 8' lengths
- IP65 all sizes, IP67 4' and 8'
- Fiberglass housing with F1 weatherability rating, standard
- Smooth housing for easy cleaning
- Gasket is non-porous to ensure seal
- Impact modified acrylic lens equivalent to 100% DR
- Lens selections include linear ribbed frost or deep profile frost
- Lens firmly secured with tamper resistance ready polycarbonate latches
- Stainless steel latching optional
- Removable gear tray electrical access for modular replaceability
- Emergency battery pack installed, optional on most models
- Standard ambient -40°C to 25°C
- Elevated ambient 40°C option on most models
- DesignLights Consortium® qualification pending
- Includes surface mounting brackets
- Occupancy and/or daylight sensing accessories available

Certifications/Listings



Ordering Information

LXEM		2	4	LW	CVQ	E	WH		
MODEL	SIZE	COLOR TEMP		SHIELDING		DRIVER	VOLTAGE	OPTIONS	
LXEM LED Enclosed and Gasketed	2 2'	35	3500K	RFA	Ribbed Frosted Acrylic	E Fixed Output	U 120-277	GLR	Fast Blow Fuse
	4 4'	40	4000K	DFA	Deep Frosted Acrylic	ESD Step Dimming		SSL	Stainless Steel Tamper Resistance Ready Latches
	8 8'	50	5000K	RFP	Ribbed Frosted Polycarbonate	ED 0-10v Dimming		TP	Tamper Proof Latches
				LUMEN OUTPUT					
				LW	Low Watt				
				ML	Medium Lument				
				HL	High Lumen ²				
				VL	Very High Lumen ^{1,3}				
				XL	Xtra High Lumen ^{1,3,7}				
<h3>Accessories (Order Separately)</h3> <p>XEHC Chain Hanger Kit (Includes 14" Chain)</p>									
							ELL14	Emergency Battery Pack Installed, 1400 Lumens ^{3,5,6}	
							F3C8W	3 Wire 8' Wet Cord	
							F3C15W	3 Wire 15' Wet Cord	
							SWH	Single Wet Hub 1/2" NPT Hub	
							DWH	Dual Wet Hub 1/2" NPT Hub	
							XEDPM	Dual Pendant Brackets (pendant by others)	
							HT	Elevated Ambient to 40°C ^{1,2,5,6}	

1 Not available with battery pack.
 2 HL not available in 2' size with HT option.
 3 Not available with HT.
 4 2' and 4' only. 8' not available.
 5 Not available with XL lumen package.
 6 Not available with VL lumen package.
 7 XL lumen package is L70.

Specifications

Construction:

• Housing is formed from UL 5VA fiberglass. F1 weatherability rating, suitable for indoor or outdoor use with respect to exposure to UV light. Pour-in-place non-porous gasketing assures seal. LED affixed to removable heat sinked gear tray. 14 Latches per 8', 8 per 4', 6 per 2'. Latches are provided tamper resistance ready, tamper resistant screws by others. Latches are standard polycarbonate, optional in stainless steel. Knockouts are provided for electrical access and mounting.

Electrical:

• Long-life LEDs are rated for 50,000 hours at L80 lumen maintenance. Extra High Lumen packages (XL) rated L70. Driver options include fixed output for on/off function, step dimming (high/low/off) or continuous 0-10V dimming. QR code label affixed to housing for easy traceability.

Shielding:

• Lineal ribbed frosted acrylic lens impact modified equivalent to 100% DR; modification adds flexibility to reduce impact breakage compared to standard acrylic formulations. Optional ribbed polycarbonate lens or deep frosted acrylic.

Finish:

• White painted parts are treated with a five-stage phosphate bonding process and finished with high reflectance baked enamel.

Warranty:

• 5 year

Certification:

• All luminaires are built to UL 1598 and 2108 standards, and bear appropriate CSA labels. Ingress protection IP65 and IP67 standard. UL Sanitation certified. Wet location labeling is standard. Emergency-equipped fixtures built to UL 924.

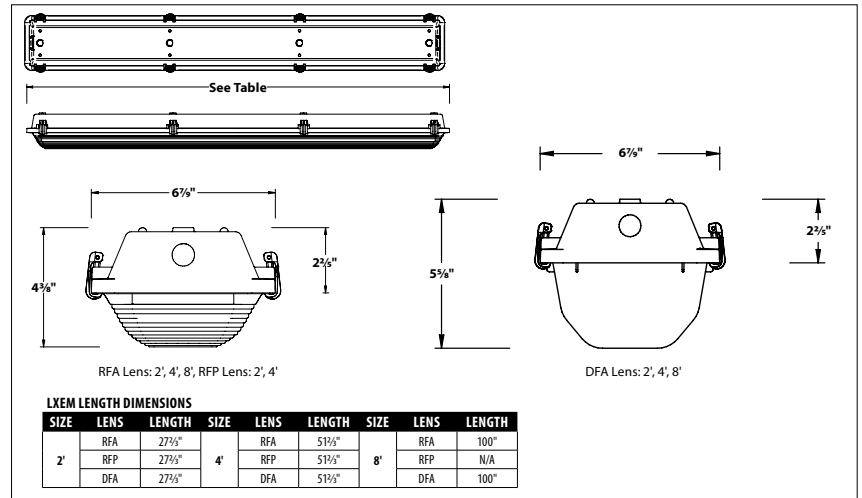
Listings:

- CSA
- DesignLights Consortium qualified

Performance Summary

Size	Lumen Package	Nominal Lumens (40K)	Nominal Watts
2'	LW	3,000	33
	ML	4,000	42
	HL	4,900	53
4'	LW	4,000	42
	ML	4,900	53
	HL	6,000	60
	VL	7,800	83
	XL	9,300	105
8'	LW	8,000	84
	ML	9,800	105
	HL	12,000	121
	VL	15,600	166
	XL	18,600	211

DIMENSIONAL DATA



Actual lumens will vary according to color temp and shielding.
For exact lumens and watts see specific photometric test(s).