

CAT#:	Job:	Type:
-------	------	-------



Features

Built for superior performance packed with feature

- Available in 68w LED producing 5700 lumens at nominal 5000K with asymmetric distribution for typical mounting heights of 12-15 feet.
- Cast aluminum door with borosilicate glass refractor. Bottom hinge allows door removal. Twin HubbellGard® screw closure for positive seal.
- Cast aluminum back housing provides firm mounting and heat dissipation. Mounts over recessed wiring boxes. Has two 0.5in conduit hubs for feed-thru wiring.
- Specular, anodized reflector panels for vertical lamp provides high performance. Typical spacing is 4-6 times mounting height.
- Wall mount perimeter safety, security and identity applications. Units provide wide coverage and excellent uniformity.
- Bronze powder paint finish is standard, other finishes available consult factory.
- Wire guards and polycarbonate shield accessories are available for refractor protection.
- CSA and wet listed.

Certifications/Listings



Ordering Information

CATALOG NUMBER	CONSTRUCTION	WATTAGE	DRIVE CURRENT	VOLTAGE	CCT	LUMENS	LPW	WEIGHT LBS
PGM3 LED								
PGM3-30LU-5K-BZ	Glass Refractor	69	700mA	120-277V	5100K	5678	82	16
PGM3-30LU-5K-035-BZ	Glass Refractor	34	350mA	120-277V	5100K	3209	96	15
PGM3-30LU-4K-BZ	Glass Refractor	69	700mA	120-277V	4200K	5157	69	16
PGM3-30LU-4K-035-BZ	Glass Refractor	34	350mA	120-277V	4200K	2955	88	15
PGM3-30LU-3K-BZ	Glass Refractor	71	700mA	120-277V	3000K	3932	56	16
PGM3-30LU-3K-035-BZ	Glass Refractor	34	350mA	120-277V	3000K	2338	69	15
PVL3 LED								
PVL3-30LU-5K-BZ	Polycarbonate Refractor	69	700mA	120-277V	5100K	4873	69	11
PVL3-30LU-5K-035-BZ	Polycarbonate Refractor	34	350mA	120-277V	5100K	2757	81	10
PVL3-30LU-4K-BZ	Polycarbonate Refractor	69	700mA	120-277V	4200K	4505	66	11
PVL3-30LU-4K-035-BZ	Polycarbonate Refractor	34	350mA	120-277V	4200K	2614	78	10
PVL3-30LU-3K-BZ	Polycarbonate Refractor	71	700mA	120-277V	3000K	3490	49	11
PVL3-30LU-3K-035-BZ	Polycarbonate Refractor	34	350mA	120-277V	3000K	2089	62	10

Notes: Units are universal voltage 50/60 Hz. Change "U" to F for 347V. On PGM3, for alternate finishes, change BZ to BL(black), WH (white), GR (gray), PS (platinum silver).

Accessories (order as separate part number)

CATALOG NUMBER	DESCRIPTION
PBT-1	Photo control, button type, 120V
PBT-234	Photo control, button type, 208, 240, 277V
PG-PS'	Polycarbonate shield for refractor PGM3

CATALOG NUMBER	DESCRIPTION
PG-WG'	Wire guard for refractor PGM3
PVL3V	Full cutoff visor, formed aluminum, bronze finish

1- Guard and shield can be used on the same fixture

Specifications

Use:

- Perimeter lighting for safety, security and identity - LED units provide 60-70% energy savings over typical pulse start wallpacks. Uses include office buildings, shopping centers, restaurants, schools, warehouses, parking garages, and other commercial applications.

Construction:

- The die-cast aluminum housing provides firm mounting over recessed junction boxes 0.5in side hubs included for surface conduit wiring. Housing includes a top hub for use with button photo controls for dusk-to-dawn control. The construction not only provides a rigid mount but an excellent heat sink for the LED system, allowing proper operating temperature for optimum performance and long life.
- Two door options are available: A cast aluminum and prismatic borosilicate glass assembly for typical commercial applications and an all polycarbonate, one-piece vandal resistant door for use in non-supervised locations
- Standard finish is dark bronze textured powder paint. The PGM3 version is available in alternate finishes of black, white, gray, and platinum sliver.
- LEDs with CCT of 5100K, 4200K, and 3000K are available.

Optics/Electrical:

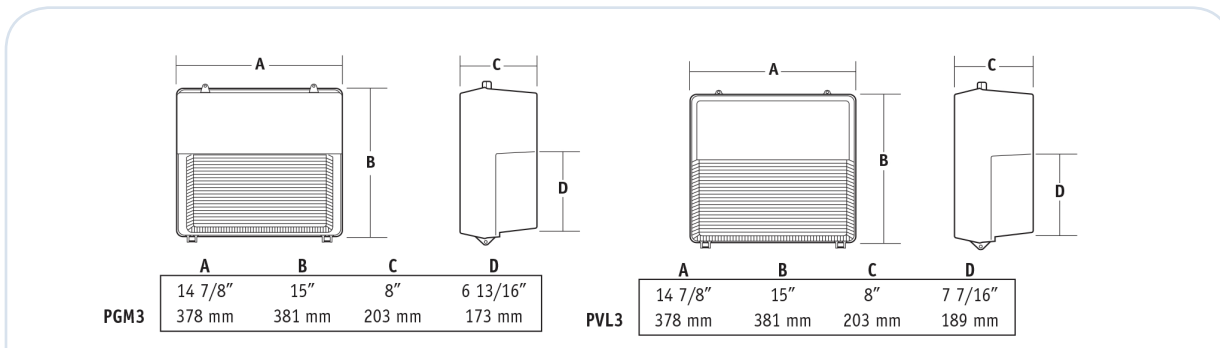
- Drivers are 120-277V universal voltage 50/60Hz and have dimming capability standard. Drivers and light engine are easily accessible for future servicing.
- A 30 LED light 5100K engine produces over 5600 lumens (82 lpw) out of the PGM3, 4800 lumens (69 lpw) for PVL3. Asymmetric distribution for typical mounting heights of 12-15 feet. The lateral spread allows typical spacing of three to four times the mounting height with excellent uniformity.
- 34w versions also available.

Listings:

- UL1598 for use in wet locations

Warranty:

- 5 year



Performance Summary

# of LEDs/CCT	Drive Current	System Watts	Series	Lumens	LPW
30 LEDs/ 5100K nominal/ 67CRI	350mA	35w	PGM3	3209	92
			PVL3	2757	79
	700mA	68w	PGM3	5678	84
			PVL3	4873	72

All performance data has been acquired by physical test reports conducted to LM-79-08 standards in a controlled testing laboratory.