

SANTA FE

AREA



Square specification luminaire for parking areas and entrance drives.

Features

- Square, formed, two-piece aluminum housing. Standard reveal accentuated with color vinyl trim stripe.
- Extruded aluminum door with clear, flat tempered glass lens, fully gasketed to housing. Tool-less access to lamp provided with four spring-loaded latch/hinges.
- Specular, anodized aluminum reflectors for horizontal lamp, provide Type II, III, IV or V square light patterns. **SF1 and SF2, Type II and Type III reflectors feature unique, multifaceted patented design.** Segmented Type III reflector with Santa Fe large (SF3). Tool-less fasteners allow access to ballast.
- Extruded aluminum arm for pole mount. Spider mount has four tubular arms attaching housing to pole top fitter. Yoke mount has two square aluminum arms securing housing to pole top fitter. Cast aluminum wall bracket.
- Mogul porcelain socket, pulse rated with spring-loaded, nickel-plated center contact and reinforced lamp grip screw shell. Medium base for ED-17 lamp.
- CWA type ballast, HPF, starting rated at -20°F (-40°F for HPS).
- TGIC thermoset polyester powder paint finish with choice of five standard and two premium standard colors.
- UL and CSA listed for wet locations.

Ordering Information

Example: **1** SF1 - **2** A - **3** H17 - **4** H2 - **5** F - **6** Q - **7** GR - **8** F1 - L

Series Mounting Lamp/Watt. Lamp Orient./Dist. Lens Voltage Color Options

1 Series

SF1 = Santa Fe 1
SF2 = Santa Fe 2
SF3 = Santa Fe 3

2 Mounting

A = Arm Mount
S4 = Spider Pad Mount 4" square pole
S5 = Spider Pad Mount 5" square pole
ST = Spider Mount Tenon 2-3/8"
Y4S = Yoke Pad Mount 4" sq. steel pole
Y4A = Yoke Pad Mount 4" sq. alum. pole
Y5S = Yoke Pad Mount 5" sq. steel pole
Y5A = Yoke Pad Mount 5" sq. alum. pole
YT = Yoke Mount Tenon 2-3/8"

3 Lamp Type/Wattage

SF1
Metal Halide
H17
Super Metal Halide
MS17
Pulse Start
P10 P12 P15
High Pressure Sodium
S10 S15
SF2
Metal Halide
H25 H40

4 Lamp Orient./Distribution

MS25 MS40
Pulse Start
P25 P32
P35 P40
High Pressure Sodium
S25 S40
SF3
Metal Halide
H1K
Super Metal Halide
MS1K
High Pressure Sodium
S1K

4 Lamp Orient./Distribution

H2 = Horizontal Lamp Type 2
H3 = Horizontal Lamp Type 3
H4 = Horizontal Lamp Type 4
H5 = Horizontal Lamp Type 5

5 Lens

F = Flat

6 Voltage

Q = Quad-Tap
5 = 480V
T = Tri-Tap

7 Color

Standard:

WH = White
DB = Dark Bronze
PS = Platinum Silver
GR = Gray
BL = Black

Premium

FG = Forest Green
RD = Red

Custom Color:

Consult Factory

8 Options

L = Lamp (included)
QZ = Quartz
HS = House-Side Shield
VG = Vandal Guard (arm mount only)

Fuse

F1 = 120V
F2 = 208V
F3 = 240V
F4 = 277V
F5 = 480V
F6 = 347V

Button Cell

P1 = 120V
P2 = 208V
P3 = 240V
P4 = 277V
P6 = 347V

Photo Receptacle

PR1 = 120V
PR2 = 208V
PR3 = 240V
PR4 = 277V
PR5 = 480V
PR6 = 347V

Reveal Color

RDB = Dark Bronze
RWH = White
RPS = Platinum Silver
RGR = Gray
RBL = Black
RFG = Forest Green
RRD = Red
RVB = Vivid Blue

PTL-X = Twist-Lock Cell (order separately)

PTL-8PC = Quad-Tap

PTL-5 = 480V

PTL-6 = 347V

PSC = Twist-Lock Shorting Cap

Mounting Arms - order separately

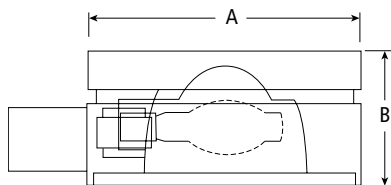
Model = ARM-S-6-X-XX

Wall Bracket - ordered separately (arm included)

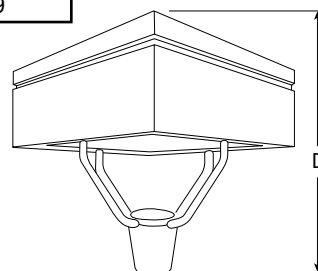
Model = WB-S-XX

Dimensions

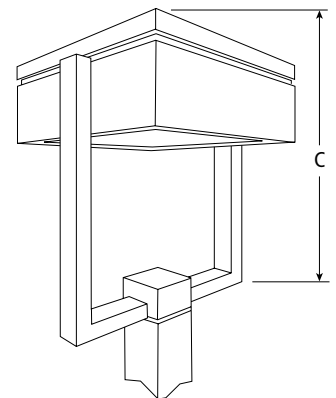
	A	B	C-YM	D-SM	EPA(PM)	Wt./Lbs.(PM)
SF1	17"	9"	28.3"	21.9"	1.6	26
SF2	21"	10"	33.75"	22.4"	2.2	43
SF3	24"	14"	41.3"	27.75"	3.3	69



Arm Mount (PM)



Yoke Mount (YM-PAD)



Spider Mount (SM-SF)